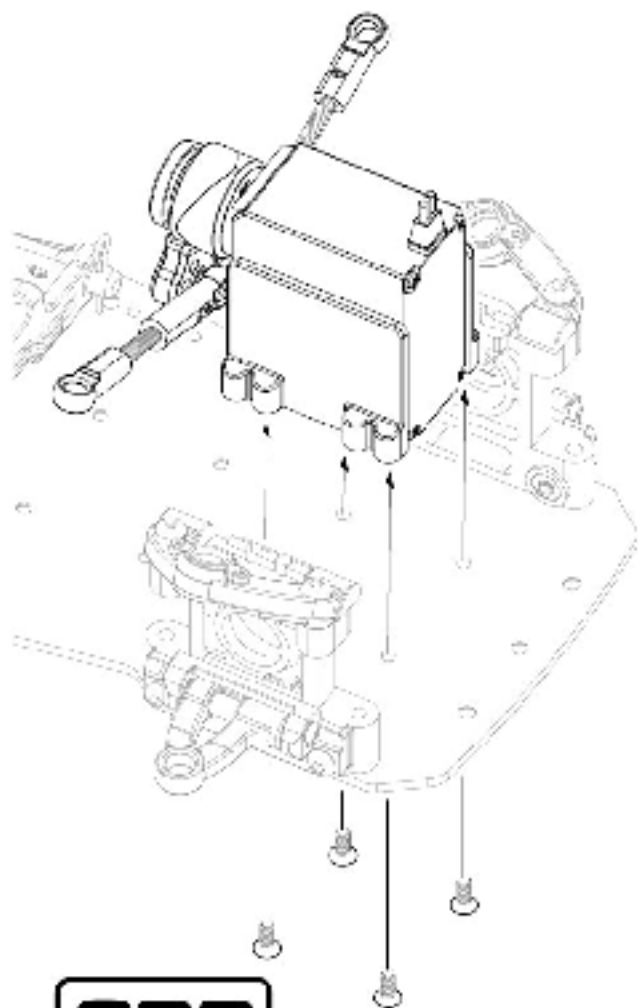


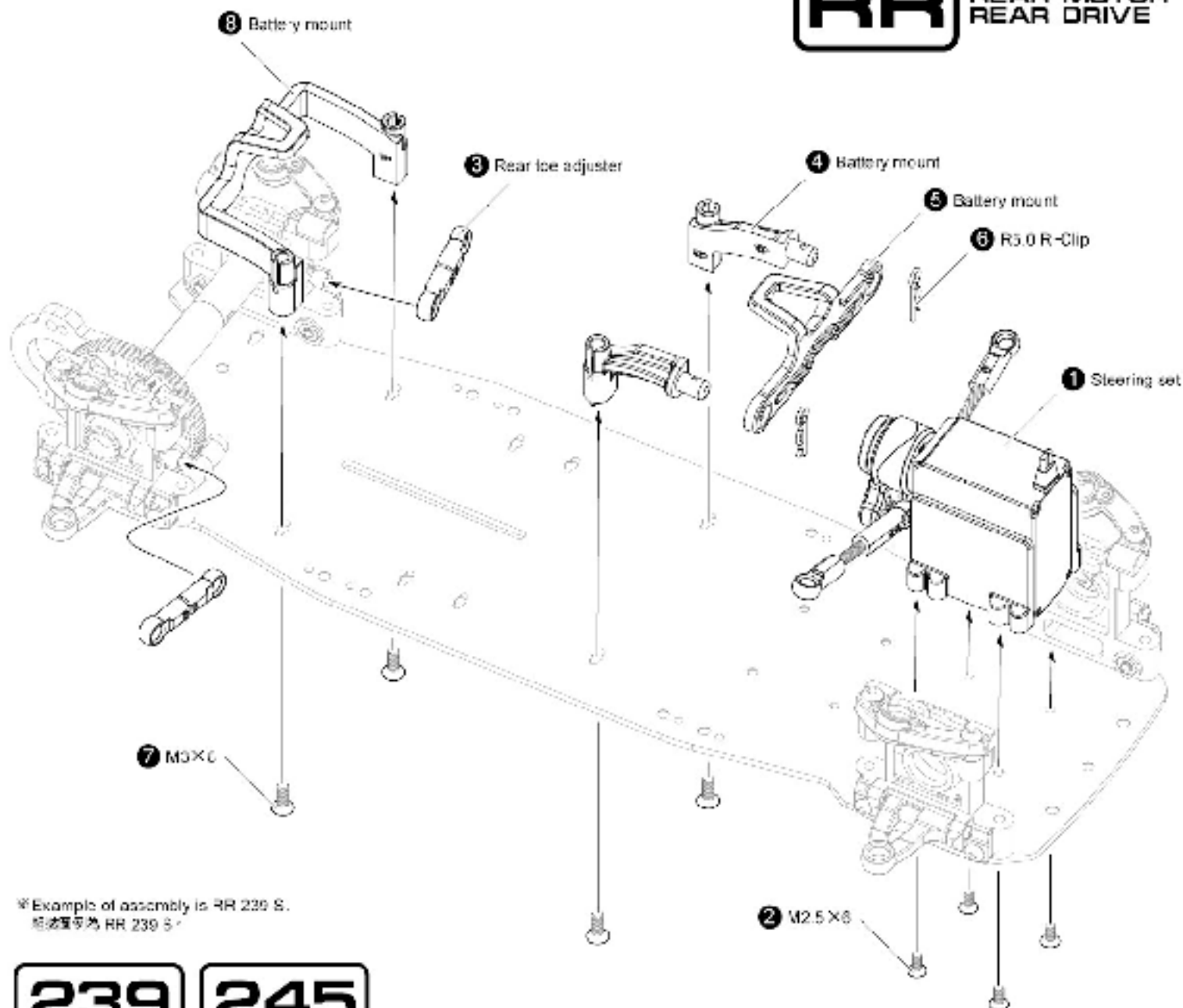
233

239

245



233

STEP 1 Steering servo & battery mount: assembly  
转向伺服器与电池盒装配

\*Example of assembly is RR 239 S.  
装配实例为 RR 239 S \*

239

245

**RR** REAR MOTOR  
REAR DRIVE